

# FEATURE PRODUCTS OF THE **MONTH**

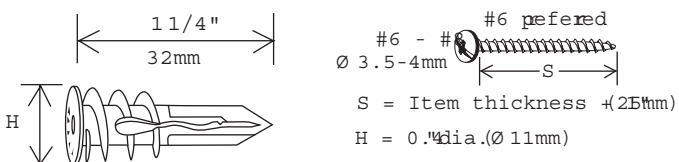
## SNAPSKRU® HIGH PERFORMANCE SELF-DRILLING DRYWALL ANCHORS

The SnapSkru MINI anchors are the smallest & strongest and the SnapSkru regular anchors are the highest performing self-drilling drywall anchors available.

- Work with the largest range of screw sizes
- Built-in positive stop resists overdrilling
- Can remove screw & item, leaving anchor in wall for reuse
- Works in walls and ceilings
- Audible "pop" indicates correct install
- Resist vibration & shock



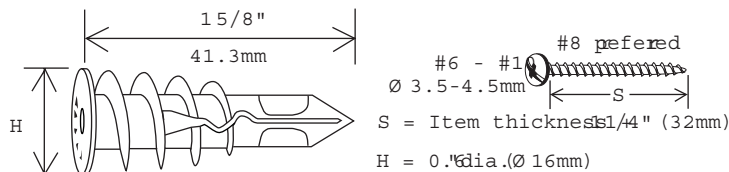
### SnapSkru MINI Anchor



Part No.	Drywall Thickness	Ultimate Tensile*	Ultimate Shear*
77148	3/8" (9.5mm)	57 lbs. (25.8 kg)	105 lbs. (46.7 kg)
	1/2" (12.5mm)	65 lbs. (29.5 kg)	131 lbs. (59.4 kg)
	5/8" (16mm)	95 lbs. (43.0 kg)	175 lbs. (79.4 kg)

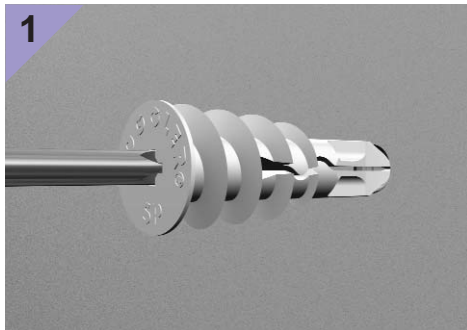
\* Industry standard safe holding = 1/4 ultimate load

### SnapSkru Regular Anchor

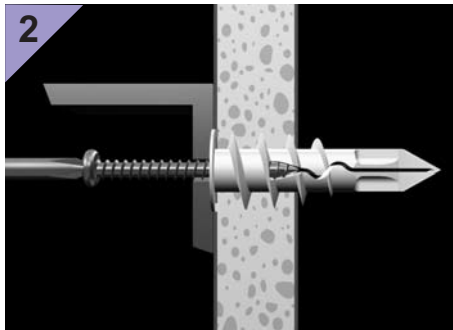


Part No.	Drywall Thickness	Ultimate Tensile*	Ultimate Shear*
77149	3/8" (9.5mm)	57 lbs. (25.8 kg)	108 lbs. (49.0 kg)
	1/2" (12.5mm)	79 lbs. (35.8 kg)	149 lbs. (67.4 kg)
	5/8" (16mm)	135 lbs. (61.2 kg)	178 lbs. (80.7 kg)

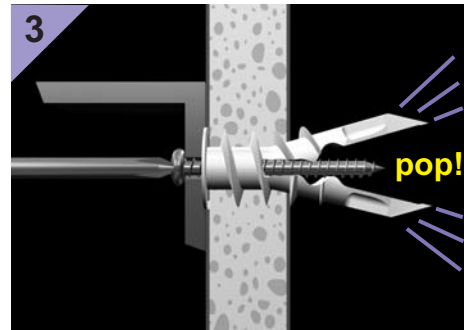
\* Industry standard safe holding = 1/4 ultimate load



Step 1: Press tip of SnapSkru anchor into drywall using #2 Phillips screwdriver or screw gun. Drive anchor clockwise into drywall until anchor stops flush with wall.



Step 2: Place item over anchor and insert screw.



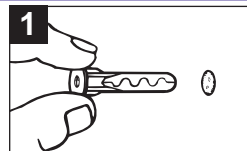
Step 3: Tighten screw flush with item. Screw "pops" open anchor, locking anchor on wall for maximum holding.

### ALLIGATOR® SOLID WALL ANCHORS

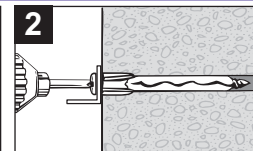
The innovative, patented design of the ALLIGATOR ANCHOR creates an integrated anchoring system of screw, anchor, and wall. The screw size determines the extrusion pressure of the anchor against the drill-hole wall. The larger the screw, the more pressure exerted, resulting in the expansion and elongation of the anchor to fill the hole. ALLIGATOR ANCHORS outperform metal anchors 2 times their diameter.



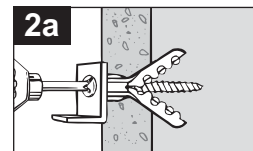
Part No.	Anchor Diameter	Drill Size	Screw Size
77165	3/16" (5mm)	3/16" (5mm)	#4 - 10 (3 - 5mm)
77166	1/4" (6mm)	1/4" (6mm)	#6 - 14 (3.5 - 6mm)
77167	5/16" (8mm)	5/16" (8mm)	#8 - 5/16" (4 - 8mm)



1. Drill hole same diameter as anchor and twice its length. Insert anchor and tap flush.



2. Place item over anchor. Insert screw and tighten flush.



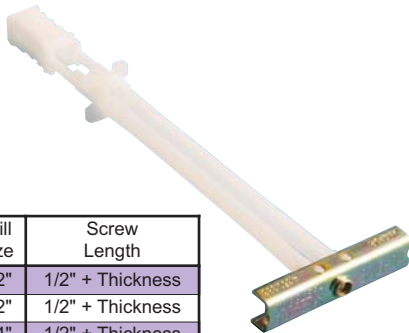
2a. The screw opens the anchor and locks securely to resist vibration in hollow walls.

Designed to provide the strongest holding in solid walls, ALLIGATOR ANCHORS also hold securely when they encounter an unexpected cavity (such as in hollow brick or block) and are ideal for use in ceramic tile mounted on drywall or on greenboard.

TOGGLER, SNAPTOGGLE, SnapSkru, and ALLIGATOR are worldwide registered trademarks of Mechanical Plastics Corp.

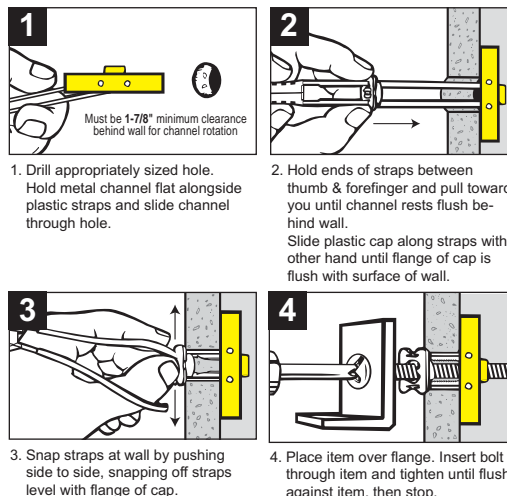
# SNAPTOGGLE® TOGGLE BOLTS

- Can be installed by anyone in seconds
- Locks in place, permitting fixtures to be installed or removed over and over without losing the toggle when the bolt is removed
- Installs in a much smaller hole and is 2x stronger than old style toggle bolts
- Unique patented design eliminates the need for bolts 3, 4, 5, and 6 inches long
- Automatically adjusts for different wall thicknesses



Part No.	Bolt Size	Wall Thickness	Clearance Required	Drill Size	Screw Length
77171	10-24	3/8" - 3 5/8"	1 7/8"	1/2"	1/2" + Thickness
77172	1/4-20	3/8" - 3 5/8"	1 7/8"	1/2"	1/2" + Thickness
77173	3/8-16	3/8" - 2 1/2"	1 7/8"	3/4"	1/2" + Thickness

\*Screws sold separately



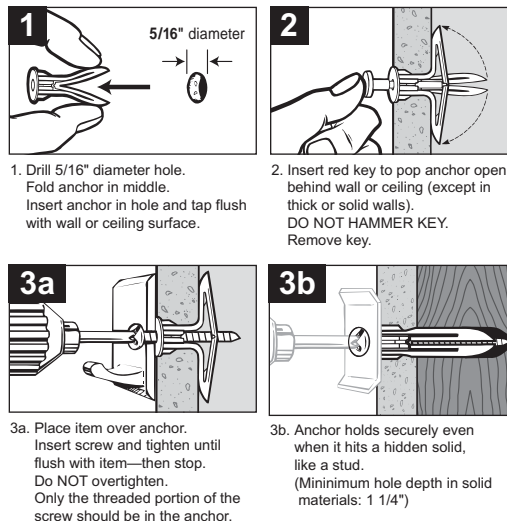
# TOGLER® SCREW ANCHORS

- Holds in all construction material: Sheetrock, tile, wood, concrete, brick, masonry and others
- Easy installation — inserts and anchors in seconds
- Made of a special polypropylene copolymer that is electrically nonconductive, nonrusting and noncorroding, usable at temperature extremes from -20°F to +220°F
- Antirotational wings under head prevent the anchor from spinning during installation — can use a screw gun



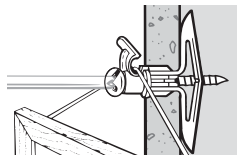
Part No.	Hollow Wall Grip Range	Solid Wall Hole Depth	Hole Size
77150	1/8"-1/4"	1"	5/16"
77155	3/8"-1/2"	1 1/4"	5/16"
77160	5/8"-3/4"	1 1/2"	5/16"

\*Screw sold separately



# TOGLER® PICTURE HOOK

- Use for hanging framed pictures, mirrors and paintings
- Useful for phone cable, audio cable and electrical wire
- Three times stronger than nail-in picture hooks

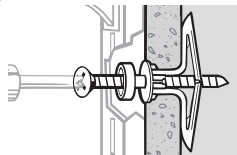


77145

Part No.	Hollow Wall Grip Range	Solid Wall Hole Depth	Hole Size
77145	3/8"-1/2"	1 1/4"	5/16"

# TOGLER® SHELVING / STANDOFF ANCHOR

- Fits flush with c-channel brackets to ensure accurate alignment
- Useful as a standoff for warm or wet walls when ventilation is needed, e.g., with electrical boxes



77147

Part No.	Hollow Wall Grip Range	Solid Wall Hole Depth	Hole Size
77147	3/8"-1/2"	1 1/4"	5/16"

## TOGLER ANCHORS & SCREW ASSORTMENT 85094

77150 1/8"-1/4" GRIP TOGLER ANCHOR	77155 3/8"-1/2" GRIP TOGLER ANCHOR	77160 5/8"-3/4" GRIP TOGLER ANCHOR	77149 REGULAR [#6-#8-#10] SnapSku ANCHOR
77165 3/16" DIA. SOLID WALL FLANGED ALLIGATOR	77166 1/4" DIA. SOLID WALL FLANGED ALLIGATOR	77167 5/16" DIA. SOLID WALL FLANGED ALLIGATOR	77148 MINI [#6-#8] SnapSku ANCHOR
31174 6 x 1" ZINC METAL SCREW	31185 8 x 1 1/4 ZINC METAL SCREW	31186 8 X 1 1/2 ZINC METAL SCREW	31198 10 x 1 3/4 ZINC METAL SCREW
17054 6 x 1" S/S METAL SCREW	17068 8 x 1 1/4 S/S METAL SCREW	17070 8 x 1 1/2 S/S METAL SCREW	17082 10 x 1 1/2 S/S METAL SCREW

450 Pcs.

PRICE EA. \$119.95

## TOGLER ANCHORS & NYLON ANCHOR ASSORTMENT 85095

77165 3/16" DIA. SOLID WALL FLANGED ALLIGATOR	77166 1/4" DIA. SOLID WALL FLANGED ALLIGATOR	77167 5/16" DIA. SOLID WALL FLANGED ALLIGATOR	76930 #4-#6 x 1" SPIRAL ANCHOR	76931 #6-#8 x 1" SPIRAL ANCHOR
77148 MINI [#6-#8] SnapSku ANCHOR	77155 3/8"-1/2" GRIP TOGLER ANCHOR	77160 5/8"-3/4" GRIP TOGLER ANCHOR	76932 #8-#10 x 1 1/4 SPIRAL ANCHOR	76933 #10-#12 x 1 5/16 SPIRAL ANCHOR
77149 REGULAR [#6-#8-#10] SnapSku ANCHOR	77140 #6-#8 SCREW ZINC E-Z ANCHOR	77147 3/8"-1/2" GRIP TOGLER HOOK	76934 #12-1/4" x 1 1/2 SPIRAL ANCHOR	76937 1/4"-5/16" x 1 7/8 SPIRAL ANCHOR
77150 1/8"-1/4" GRIP TOGLER ANCHOR	77140 #8 SCREW ZINC E-Z ANCHOR	77147 3/8"-1/2" GRIP TOGLER SHELVING	76936 5/16"-3/8" x 2 1/4 SPIRAL ANCHOR	76937 7/16"-1/2" x 3" SPIRAL ANCHOR

455 Pcs.

PRICE EA. \$149.95

## TOGLER SNAPTOGGLE ANCHOR ASSORTMENT 85096

31573 10-24 x 2" COMBO ROUND HEAD MACHINE SCREW	77171 10-24 BOLT SNAPTOGGLE ANCHOR	77172 1/4-20 BOLT SNAPTOGGLE ANCHOR	77173 3/8-16 BOLT SNAPTOGGLE ANCHOR
31588 1/4-20 x 3" COMBO ROUND HEAD MACHINE SCREW			
40493 3/8-16 x 3" ROUND HEAD SLOTTED MACHINE SCREW			

105 Pcs.

PRICE EA. \$99.85

